

# Mini pressure switch Flameproof enclosure Ex d Model PXA

WIKA data sheet PV 34.38



Process Mini Series

## Applications

- Pressure monitoring and control of processes
- Safety-critical applications in general process instrumentation, especially in the chemical and petrochemical industries, oil and gas industries, power generation incl. nuclear power plants, water/wastewater industries, mining
- For gaseous and liquid, aggressive and highly viscous or contaminated media, also in aggressive ambience
- For measuring points with limited space, e.g. control panels

## Special features

- No power supply needed for switching of electrical loads
- Robust switch enclosure from stainless steel 316, IP66, NEMA 4X
- Setting ranges from 1 ... 2.5 bar to 200 ... 1,000 bar
- Repeatability of the set point  $\leq 1\%$  of end of setting range
- 1 set point, SPDT or DPDT, high switching power up to AC 250 V, 5 A



Mini pressure switch model PXA

## Description

These high-quality pressure switches have been developed especially for safety-critical applications. The high quality of the products and manufacturing in accordance with ISO 9001 ensure reliable monitoring of your plant. In production, the switches are traced by quality assurance software at every step and subsequently are 100 % tested.

In order to ensure as flexible operation as possible, the pressure switches are fitted with micro switches, which enable the switching of an electrical load of up to AC 250 V, 5 A directly.

For lower switching power ratings, such as for PLC applications, argon gas-filled micro switches with gold-plated contacts can be selected as an option.

For two separate circuits the switches are also available in the version DPDT (double pole double throw). By using a Belleville spring the simultaneous triggering of the DPDT occurs at either rising or falling pressure. Moreover the snap-acting behaviour of the Belleville spring increases stability and vibration resistance.

All wetted materials are from stainless steel as a standard. For applications with special requirements on the wetted parts, versions with materials from Hastelloy are available.

## Standard version

### Switch enclosure

Stainless steel 316

Tamper-proof

Laser-engraved product label from stainless steel

### Ingress protection

IP66 per EN/IEC 60529, NEMA 4X

### Permissible temperature

Ambient  $T_{amb}$ : -40 ... +85 °C

Medium  $T_M$ : See table on next page.

Depending on measuring element.

### Switch contact

Hermetically sealed micro switches with fixed dead band.

■ 1 x SPDT (single pole double throw)

■ 1 x DPDT (double pole double throw)

The DPDT function is realised with a Belleville spring

triggering 2 SPDT micro switches simultaneously.

Contact version		Electrical rating (resistive load)	
		AC	DC
E	1 x SPDT, silver, hermetically sealed	250 V, 5 A	24 V, 5 A
J	1 x SPDT, gold-plated, hermetically sealed	250 V, 0.5 A	24 V, 1 A
L	1 x DPDT, silver, hermetically sealed	250 V, 5 A	24 V, 5 A
M	1 x DPDT, gold-plated, hermetically sealed	250 V, 0.5 A	24 V, 1 A

### Set point adjustment

The set point can be specified by the customer or factory-set within the setting range. Subsequent adjustment of the set point on site is made using the adjustment screw, which is covered by the access cover plate with lead seal option.

### Repeatability of the set point

≤ 1 % of end of setting range

### Please specify:

Set point, switching direction for the contact, e.g.:

Set point: 5 bar, rising

After removing the access cover plate, set point adjustment can be made using the adjustment screw.

The set point is selectable within the entire setting range.

For optimal performance we suggest to adjust the set point between 25 ... 75 % of the setting range.

### Example

Setting range: 1 ... 2.5 bar with one switch contact

Dead band: 0.3 bar (see table setting ranges)

Rising pressure: Adjust set point between 1.3 ... 2.5 bar.

Falling pressure: Adjust set point between 1 ... 2.2 bar.

### Ignition protection type <sup>1)</sup>

■ Ex d I Mb (mines)

■ Ex d IIC T6/T4 <sup>2)</sup> Ga/Gb (gas)

■ Ex tb IIIC T85/T135 <sup>2)</sup> Da/Db (dust)

1) Ex d IIC T6/T5 Gb and Ex tb IIIC T85/T135 Db (version with measuring element "P")

2) The temperature class is related to the ambient temperature range. See the type examination certificate for further details.

### Process connection (A)

Stainless steel 316L

■ ¼ NPT female (standard)

■ ½ NPT, G ½ A, G ¼ A male via adapter

■ ½ NPT, G ¼ female via adapter

■ M20 x 1.5 male via adapter

### Electrical connection

■ Connection cable

Length: 1.5 m

Wire cross-section: 0.5 mm<sup>2</sup> (20 AWG)

Insulation material: Silicone

### Threaded connection (B)

Material: AISI 316

- ½ NPT male (standard)

- M20 x 1.5 male (adapter)

- M20 x 1.5 female (adapter)

- ½ NPT female (adapter)

- ¾ NPT female (adapter)

■ Terminal box

### Dielectric strength

Safety class I (IEC 61298-2: 2008)

### Mounting option

■ Direct

■ Wall bracket from stainless steel

Option: Mounting bracket for 2" pipe mounting

### Weight

■ 0.6 kg (standard)

■ 1.1 kg, with terminal box

## Measuring element

Measuring element		Wetted parts	Permissible medium temperature (T <sub>M</sub> )
M	Welded diaphragm with antagonist spring	Hastelloy® C276	-40 ... +200 °C
G	Piston with antagonist spring and welded diaphragm	Hastelloy® C276	-40 ... +140 °C
P	Piston with antagonist spring	Stainless steel 316L, O-ring FPM <sup>1) 2)</sup>	0 ... 200 °C

1) The measuring element is a piston, therefore particularly suited for liquid media.

2) Ignition protection type: Ex d IIC T6/T5 Gb and Ex tb IIIC T85/T135 Db.

## Setting range

Measuring range in bar	Measuring element	Setting range depending on the switching direction in bar		Working range in bar	Proof pressure in bar	Max. dead band	
		rising	falling			Start of setting range <sup>3)</sup> in bar	End of setting range <sup>3)</sup> in bar
1 ... 2.5 <sup>4)</sup>	M	1.3 ... 2.5	1 ... 2.2	0 ... 10	16	0.3	0.3
1.6 ... 6	M	2.1 ... 6	1.6 ... 5.8	0 ... 10	16	0.5	0.2
3 ... 10	M	4.5 ... 10	3 ... 9.2	0 ... 10	16	1.5	0.8
6 ... 25 <sup>4)</sup>	M	8 ... 25	6 ... 24.2	0 ... 25	40	2	0.8
14 ... 60	P, G	23 ... 60	14 ... 49	0 ... 500	750	9	11
25 ... 100	P, G	40 ... 100	25 ... 82	0 ... 500	750	15	18
50 ... 160	P, G	65 ... 160	50 ... 142	0 ... 500	750	15	18
70 ... 400	P, G	95 ... 400	70 ... 365	0 ... 500	750	25	35
150 ... 700 <sup>5)</sup>	P	230 ... 700	150 ... 600	0 ... 1,000	1,500	80	100
200 ... 1,000 <sup>5)</sup>	P	300 ... 1,000	200 ... 850	0 ... 1,000	1,500	100	150

3) The dead band depends on the set point adjustment. The indicated values are valid for start and end of the setting range. The dead band of other set points is proportional.

4) With DPDT contact the simultaneous triggering occurs within 1% of the end of setting range

5) Measuring range is recommended for hydraulic systems





## Options

- Cleaned for oxygen service
- Drying of wetted parts
- Measuring element piston with O-ring NBR (permissible medium temperature: -10 ... +110 °C)
- Measuring element piston with O-ring EPDM (permissible medium temperature: -40 ... +110 °C)
- NACE compliant to MR 0175, ISO 15156 and MR 0103
- Terminal box, aluminium alloy, copper-free epoxy resin, coated with 3 connections ½ NPT female, ingress protection IP65
- Grounding cable cross-section: max. 4 mm<sup>2</sup>
- Other cable length: 3 m, 5 m
- Offshore version

## Assembly (Option)

- Shut-off valve model 910.11, see data sheet AC 09.02
- Barstock valve model 910.81, see data sheet AC 09.18
- Diaphragm seals, see website

## Approvals

Logo	Description	Country
	<b>EU declaration of conformity</b> <ul style="list-style-type: none"> <li>■ Pressure equipment directive</li> <li>■ Low voltage directive</li> <li>■ ATEX directive <sup>1)</sup> <ul style="list-style-type: none"> <li>I M 2</li> <li>II 1/2 GD</li> <li>II 2 GD (version with measuring element "P")</li> </ul> </li> </ul>	European Community
	<b>IECEX</b> <sup>1)</sup> per IEC 60079-0, IEC 60079-1, IEC 60079-26, IEC 60079-31 <ul style="list-style-type: none"> <li>Ex d I Mb</li> <li>Ex d IIC T6/T4 <sup>2)</sup> Ga/Gb, Ex ta/tb IIIC T85/T135 <sup>2)</sup> Da/Db</li> <li>Ex d IIC T85/T135 <sup>2)</sup> Gb, Ex tb IIIC T85/T135 <sup>2)</sup> Db (version with measuring element "P")</li> </ul>	IECEX member states
	<b>EAC (option)</b> Hazardous areas (option)	Eurasian Economic Community
	<b>KOSHA (option)</b> Hazardous areas	South Korea

- 1) Double marking ATEX and IECEx on the same product label.  
 2) The temperature class is related to the ambient temperature range.

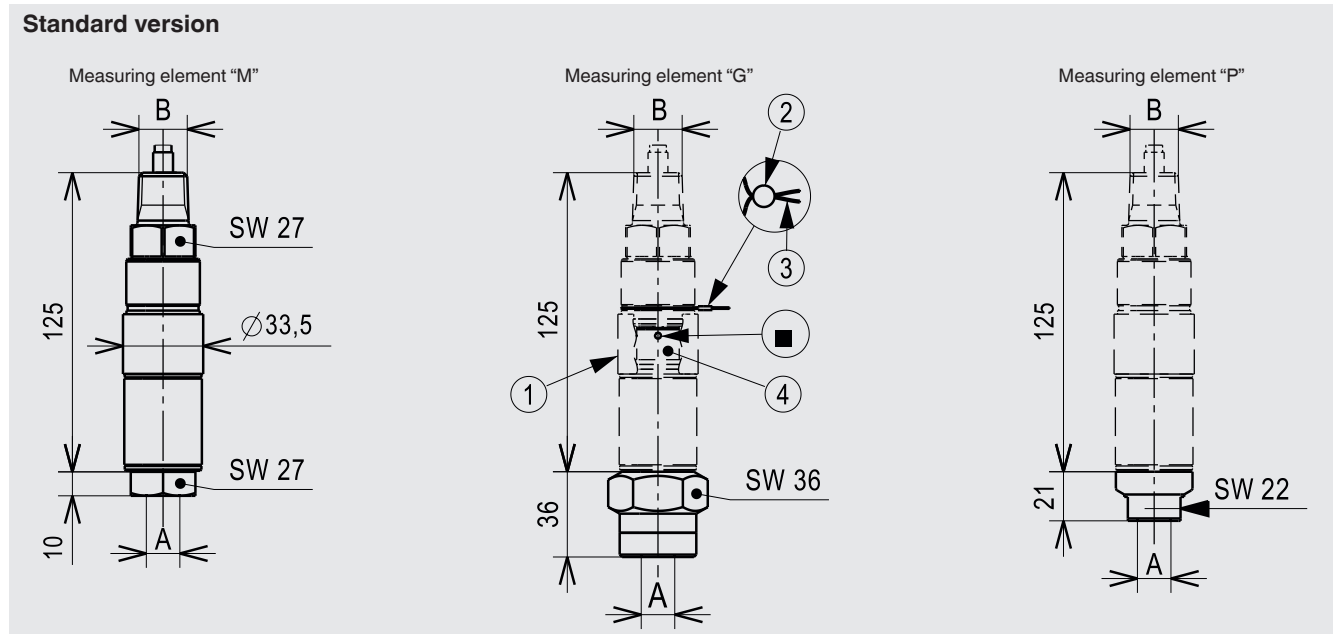
## Certificates (option)

- 2.2 test report per EN 10204
- 3.1 inspection certificate per EN 10204

Approvals and certificates, see website

## Dimensions in mm

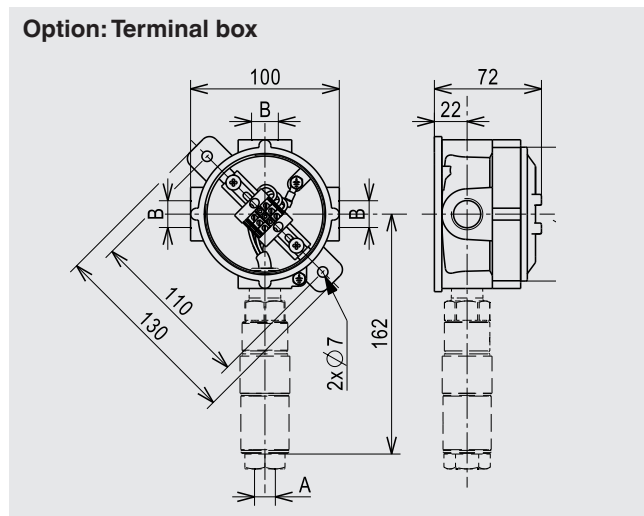
### Standard version



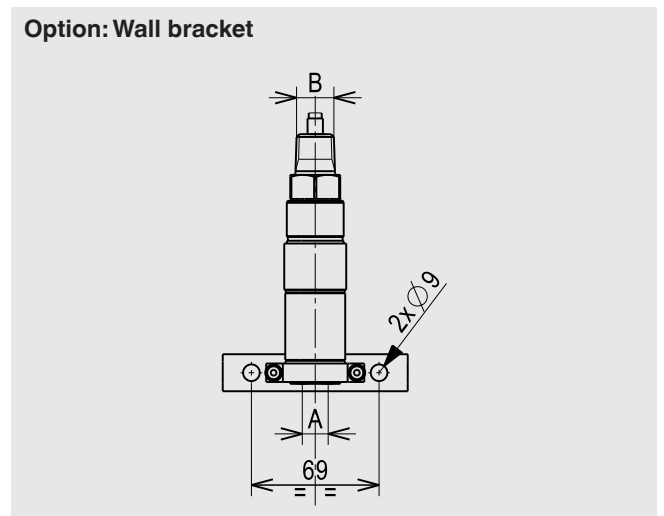
### Legend

- |   |                        |                         |
|---|------------------------|-------------------------|
| ① Access cover plate                          | ③ Stainless steel wire | A Pressure connection   |
| ② Lead seal                                   | ④ Adjustment screw     | B Electrical connection |
| ■ Set point adjustment rod $\varnothing$ 3 mm |                        |                         |

### Option: Terminal box



### Option: Wall bracket



### Ordering information

Model / Measuring element / Contact version / Measuring range / Process connection / Electrical connection / Options

© 12/2010 WIKA Alexander Wiegand SE & Co. KG, all rights reserved.  
The specifications given in this document represent the state of engineering at the time of publishing.  
We reserve the right to make modifications to the specifications and materials.

